

Full Length Research Paper

Real time digital simulation of shunt active filter for mitigation of current harmonics with P-Q theory

G. VIJAYAKUMAR^{1*} and R. ANITA²

¹Department of Electrical and Electronics Engineering, K.S.R. College of Engineering, Tiruchengode, Tamilnadu, India.

²Department of Electrical and Electronics Engineering, Institute of Road and Transport Technology, Erode, Tamilnadu, India.

Accepted 9 July, 2013

The main objective of this paper is to develop PI and Fuzzy logic controllers to analyze the performance of instantaneous active and reactive power (p-q) control strategy for extracting reference currents of shunt active filters under balanced, un-balanced and balanced non-sinusoidal conditions. When the supply voltages are balanced and sinusoidal, then all controllers converge to the same compensation characteristics. However, when the supply voltages are distorted and/or un-balanced sinusoidal, these control strategies result in different degrees of compensation in harmonics. The p-q control strategy with PI controller is unable to yield an adequate solution when source voltages are not ideal. Extensive simulations were carried out; simulations were performed with balance, unbalanced and non sinusoidal conditions. Simulation results validate the dynamic behavior of Fuzzy logic controller over PI controller. The 3-ph 4-wire shunt active filter system is also implemented on a real time digital simulator (RTDS Hardware) to further verify its effectiveness. The detailed simulation and RTDS Hardware results are included.

Key words: Harmonic compensation, shunt active filter (SAF), P-Q control strategy, PI controller, fuzzy controller, RTDS hardware.

INTRODUCTION

Instantaneous active and reactive theory (p-q theory) was introduced by Akagi, Kawakawa, and Nabae in 1984 (Akagi et al., 1984). Since then, many scientists Peng (1998), Montero (2007), Vodyakho et al. (2009), Aredes (1997), and engineers made significant contributions to its modifications in three-phase four-wire circuits and its applications to power electronic equipment. The p-q theory (Akagi, 2007) based on a set of instantaneous powers defined in the time domain. No restrictions are imposed on the voltage and current waveforms, and it can be applied to three phase systems with or without neutral wire for three phase generic voltage and current waveforms. Thus it is valid not only in the steady state but also in the transient state. p-q theory needs additional

PLL circuit for synchronization so p-q method is frequency variant.

Fuzzy logic controllers (Mikkili and Panda, 2011) have generated a great deal of interest in various applications and have been introduced in the power-electronics. The advantages of fuzzy logic controllers over the conventional PI controller are that they do not need an accurate mathematical model; they can work with imprecise inputs, can handle nonlinearity, and may be more robust than the conventional PI controller. The Mamdani type of fuzzy controller used for the control of APF gives better results compared with the PI controller, but it has the drawback of a larger number of fuzzy sets and 49 rules (Suresh et al., 2011).

*Corresponding author. E-mail: vijayakumargovind@yahoo.com.

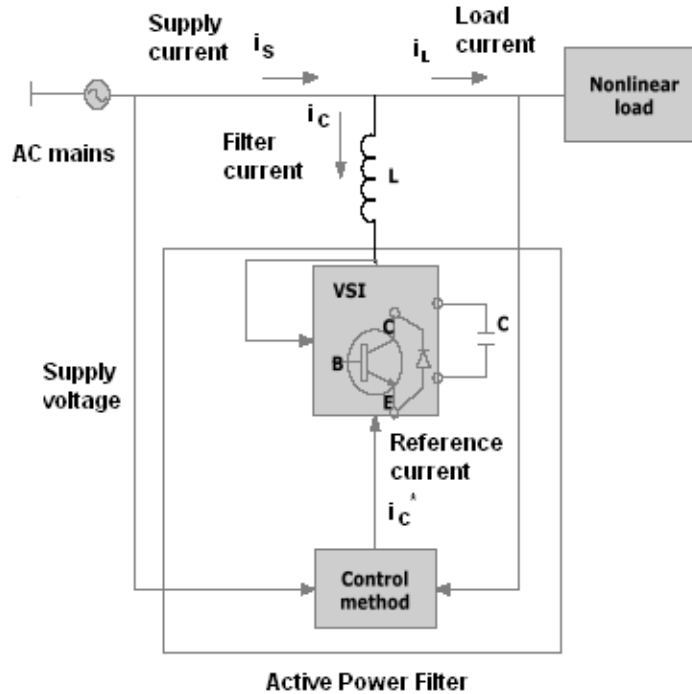


Figure 1. Basic compensation principle.

Though several control techniques and strategies (Salmeron and Herrera, 2006) had developed but still performance of filter in contradictions, these became primarily motivation for the current paper. Present paper mainly focused on two controllers *i.e.*, fuzzy and PI. Additionally we developed a filter with instantaneous active and reactive power ($p-q$) method which is prominent one with this we analyzed the performance of filter under different main voltages. On observing fuzzy controller shows some superior performance over PI controller. To validate current observations, Extensive simulations were performed and the detailed simulation and RTDS Hardware results are included.

COMPENSATION PRINCIPLE

The active power filter is controlled to draw/supply the compensating current Rodriguez (2009). if from/to the load to cancel out the current harmonics on AC side and reactive power flow from/to the source there by making the source current in phase with source voltage. Figure 1 shows the basic compensation principle of the active power filter and it serves as an energy storage element to supply the real power difference between load and source during the transient period. When the load condition changes the real power balance between the mains and the load will be disturbed. This real power difference is to be compensated by the DC capacitor. This changes the DC capacitor voltage away from the reference voltage.

In order to keep satisfactory operation or the active filter, the peak value of the reference source current must be adjusted to proportionally change the real power drawn from the source. This real power charged/discharged by the capacitor compensates the real power difference between the consumed by the load and that of supplied by the source. If the DC capacitor voltage is recovered and attains the reference voltage, the real power supplied by the source is supposed to be equal to that consumed by the load again.

INSTANTANEOUS ACTIVE AND REACTIVE POWER (P-Q) METHOD

The control algorithm block diagram for $p-q$ method is depicted in Figure 2. The three-phase source voltages (v_{sa}, v_{sb}, v_{sc}) and load currents (i_{La}, i_{Lb}, i_{Lc}) in the $a-b-c$ coordinates are algebraically transformed to the $\alpha-\beta$ coordinates using Clarke’s transformation. In this method (Mikkili and Panda, 2011), a set of voltages (v_a, v_b, v_c) and currents (i_a, i_b, i_c) from phase coordinates are first transferred to the $0\alpha\beta$ coordinates using Clark transformation:

$$\begin{bmatrix} V_0 \\ V_\alpha \\ V_\beta \end{bmatrix} = C \begin{bmatrix} v_a \\ v_b \\ v_c \end{bmatrix}; \begin{bmatrix} i_0 \\ i_\alpha \\ i_\beta \end{bmatrix} = C \begin{bmatrix} i_{La} \\ i_{L\alpha} \\ i_{Lc} \end{bmatrix} \tag{1}$$

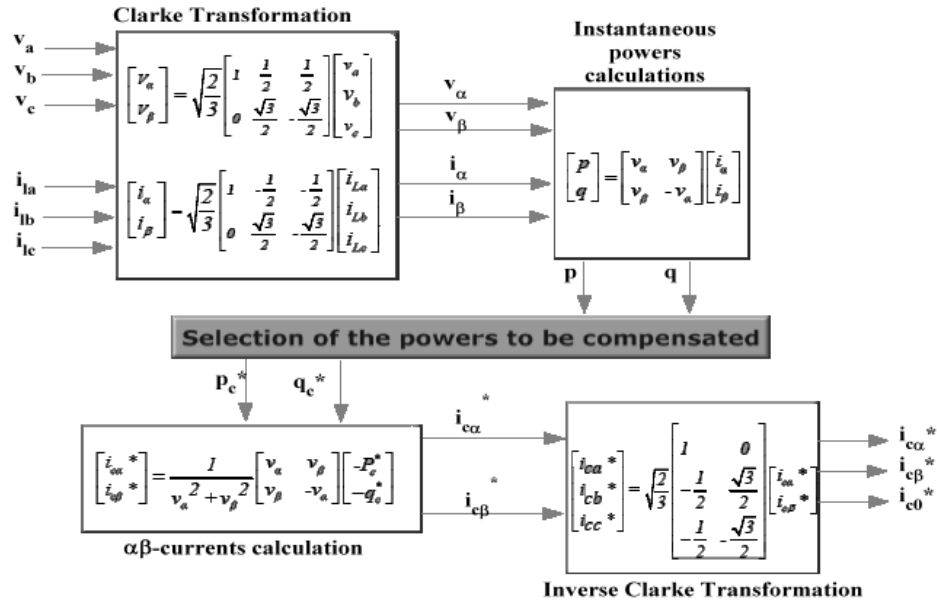


Figure 2. Control method for Shunt current compensation based on p-q theory.

$$C = \frac{1}{\sqrt{3}} \begin{bmatrix} \frac{1}{\sqrt{2}} & \frac{1}{\sqrt{2}} & \frac{1}{\sqrt{2}} \\ 1 & -\frac{1}{2} & -\frac{1}{\sqrt{2}} \\ 0 & \frac{\sqrt{3}}{2} & -\frac{\sqrt{3}}{2} \end{bmatrix} \quad (2)$$

$$\text{Where } v_{\alpha\beta o} = \begin{bmatrix} v_\alpha \\ v_\beta \\ v_o \end{bmatrix}; i_{\alpha\beta o} = \begin{bmatrix} i_\alpha \\ i_\beta \\ i_o \end{bmatrix}$$

Where C is the so called transformation matrix and Generalized instantaneous power, $p(t)$

$$q = \|q\| = \sqrt{q_\alpha^2 + q_\beta^2 + q_o^2} \quad (6)$$

$$P = \begin{bmatrix} v_a \\ v_b \\ v_c \end{bmatrix} \cdot \begin{bmatrix} i_{la} & i_{lb} & i_{lc} \end{bmatrix} = v_a i_{la} + v_b i_{lb} + v_c i_{lc} \quad (3)$$

$$\begin{bmatrix} p \\ q_\alpha \\ q_\beta \\ q_o \end{bmatrix} = \begin{bmatrix} v_\alpha & v_\beta & v_o \\ 0 & -v_o & v_\beta \\ v_o & 0 & -v_\alpha \\ -v_\beta & v_\alpha & 0 \end{bmatrix} \begin{bmatrix} p \\ q_\alpha \\ q_\beta \\ q_o \end{bmatrix} \quad (7)$$

The p-q formulation defines the generalized instantaneous power, $p(t)$, and instantaneous reactive power vector, $q(t)$ in terms of the α - β -0 components as

$$P = v_{\alpha\beta 0} \cdot i_{\alpha\beta 0} = v_\alpha i_\alpha + v_\beta i_\beta + v_o i_o \quad (4)$$

$$\begin{bmatrix} i_\alpha \\ i_\beta \\ i_o \end{bmatrix} = \frac{1}{v_{\alpha\beta 0}} \begin{bmatrix} v_\alpha & 0 & v_o & -v_\beta \\ v_\beta & -v_o & 0 & v_\alpha \\ v_o & v_\beta & -v_\alpha & 0 \end{bmatrix} \begin{bmatrix} p \\ q_\alpha \\ q_\beta \\ q_o \end{bmatrix} \quad (8)$$

$$q = v_{\alpha\beta 0} \times i_{\alpha\beta 0} = \begin{bmatrix} q_\alpha \\ q_\beta \\ q_o \end{bmatrix} = \begin{bmatrix} v_o & v_\alpha \\ i_o & i_\alpha \\ v_\alpha & v_\beta \\ i_\alpha & i_\beta \\ v_\beta & v_o \\ i_\beta & i_o \end{bmatrix} \quad (5)$$

Where $v_{\alpha\beta 0}^2 = v_\alpha^2 + v_\beta^2 + v_o^2$. In the new coordinates system, the instantaneous power has two components: the zero-sequence instantaneous real power, P_0 , and the instantaneous real power due to positive and negative sequence components, $P_{\alpha\beta}$

$$P(t) = p_o(t) + P_{\alpha\beta}(t) \quad (9)$$

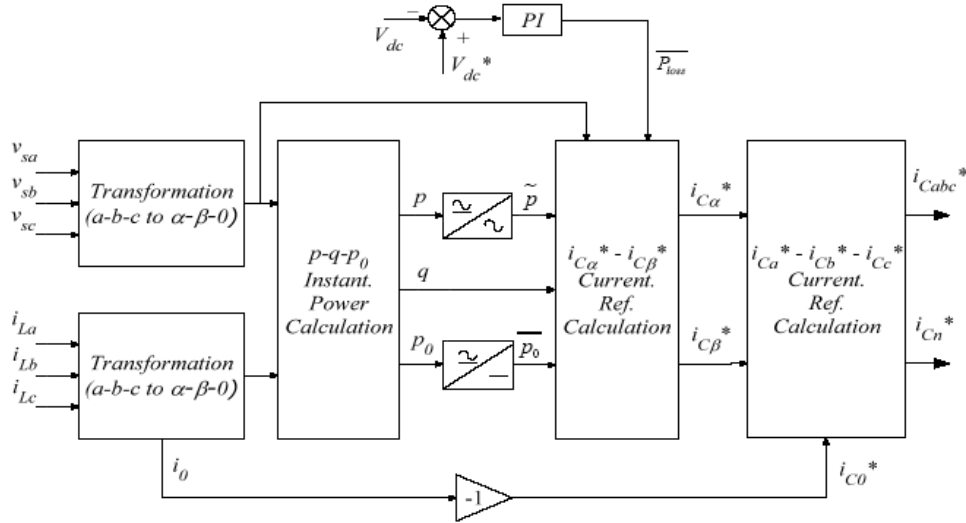


Figure 3. Reference current extraction with conventional p-q method with PI controller.

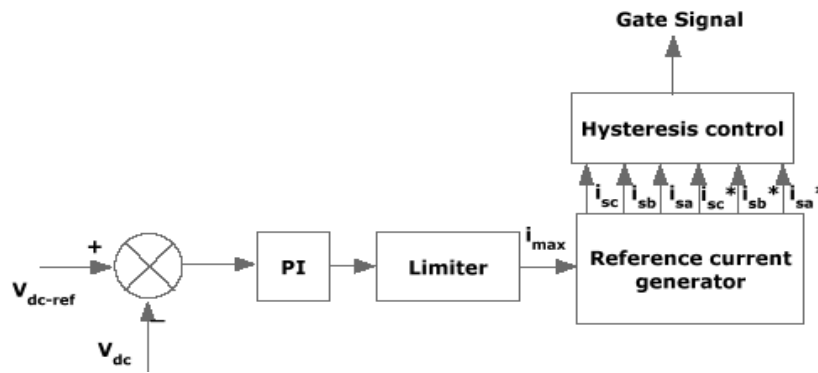


Figure 4. Conventional PI controller.

$$P_o(t) = v_o i_o \tag{10}$$

$$P_{\alpha\beta}(t) = \begin{bmatrix} v_\alpha \\ v_\beta \end{bmatrix} \begin{bmatrix} i_\alpha & i_\beta \end{bmatrix} = v_\alpha i_\alpha + v_\beta i_\beta \tag{11}$$

Using the above equations and considering the orthogonal nature of vectors and the reference source current in the $\alpha\beta 0$ frame is

$$\begin{bmatrix} i_{s\alpha} \\ i_{s\beta} \\ i_{s0} \end{bmatrix} = \frac{1}{2} \begin{bmatrix} v_\alpha & 0 & v_0 & -v_\beta \\ v_\beta & -v_0 & 0 & v_\alpha \\ v_{\alpha\beta 0} & v_0 & v_\beta & -v_\alpha & 0 \end{bmatrix} \begin{bmatrix} P \\ q_\alpha \\ q_\beta \\ q_0 \end{bmatrix} \tag{12}$$

The objective of the p-q strategy is to get the source to give only the constant active power demanded by the load $P_s(t) = P_{L0}(t) + P_{L\alpha\beta}(t)$. In addition, the source must

deliver no zero-sequence active power $i_{s0ref} = 0$ (so that the zero-sequence component of the voltage at the PCC does not contribute to the source power). The reference source current in the $\alpha\beta 0$ frame is therefore

$$\begin{bmatrix} i_{s\alpha ref} \\ i_{s\beta ref} \\ i_{s0 ref} \end{bmatrix} = \frac{1}{v_\alpha + v_\beta} \begin{bmatrix} v_\alpha & 0 & v_0 & -v_\beta \\ v_\beta & -v_0 & 0 & v_\alpha \\ 0 & v_\beta & -v_\alpha & 0 \end{bmatrix} \begin{bmatrix} \overline{P_{L\alpha\beta}} + \overline{P_{L0}} \\ 0 \\ 0 \\ 0 \end{bmatrix} \tag{13}$$

$$\begin{bmatrix} i_{s\alpha ref} \\ i_{s\beta ref} \\ i_{s0 ref} \end{bmatrix} = \frac{\overline{P_{L\alpha\beta}} + \overline{P_{L0}}}{v_\alpha^2 + v_\beta^2} \begin{bmatrix} v_\alpha \\ v_\beta \\ 0 \end{bmatrix} \tag{14}$$

Construction of PI Controller

Figures 3 and 4 show the internal structure of the control

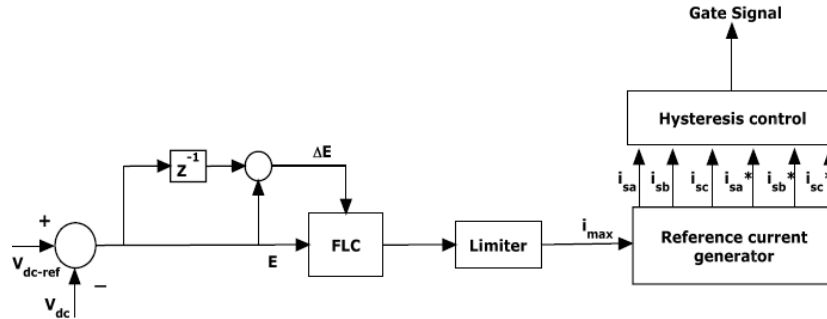


Figure 5. Proposed fuzzy inference system.

circuit. The control scheme consists of PI controller, limiter, and three phase sine wave generator for reference current generation and generation of switching signals. The peak value of reference currents is estimated by regulating the DC link voltage. The actual capacitor voltage is compared with a set reference value (Akagi, 1996).

The error signal is then processed through a PI controller, which contributes to zero steady error in tracking the reference current signal. The output of the PI controller is considered as peak value of the supply current (I_{max}), which is composed of two components: 1) fundamental active power component of load current, and 2) loss component of APF; to maintain the average capacitor voltage to a constant value. Peak value of the current (I_{max}) so obtained, is multiplied by the unit sine vectors in phase with the respective source voltages to obtain the reference compensating currents. These estimated reference currents (I_{sa}^* , I_{sb}^* , I_{sc}^*) and sensed actual currents (I_{sa} , I_{sb} , I_{sc}) are compared at a hysteresis band, which gives the error signal for the modulation technique. This error signal decides the operation of the converter switches. In this current control circuit configuration, the source/supply currents I_{sabc} are made to follow the sinusoidal reference current I_{abc} , within a fixed hysteretic band. The width of hysteresis window determines the source current pattern, its harmonic spectrum and the switching frequency of the devices.

The DC link capacitor voltage is kept constant throughout the operating range of the converter. In this scheme, each phase of the converter is controlled independently. To increase the current of a particular phase, the lower switch of the converter associated with that particular phase is turned on while to decrease the current the upper switch of the respective converter phase is turned on. With this one can realize, potential and feasibility of PI controller.

CONSTRUCTION OF FUZZY LOGIC CONTROLLER

Figure 5 shows the internal structure of the control circuit.

The control scheme consists of fuzzy controller (Kirawanich and O’Connell, 2004) limiter and three phase sine wave generator for reference current generation and generation of switching signals. The peak value of reference currents is estimated by regulating the DC link voltage. The actual capacitor voltage is compared with a set reference value. The error signal is then processed through a fuzzy controller, which contributes to zero steady error in tracking the reference current signal.

A fuzzy controller converts a linguistic control strategy into an automatic control strategy, and fuzzy rules are constructed by expert experience or knowledge data-base (Jain, 2002). Firstly, input Error E and change in Error have been placed of the angular velocity to be the input variables of the fuzzy logic controller. Then the output variable of the fuzzy logic controller is presented by the control Current I_{max} . To convert these numerical variables into linguistic variables, the following seven fuzzy levels or sets are chosen as: NB (negative big), NM (negative medium), NS (negative small), ZE (zero), PS (positive small), PM (positive medium), and PB (positive big) as shown in Figure 6 (Table 1).

The fuzzy controller is characterized as follows:

- 1) Seven fuzzy sets for each input and output.
- 2) Fuzzification using continuous universe of discourse.
- 3) Implication using Mamdani’s “min” operator.
- 4) De-fuzzification using the “centroid” method.

The block diagram of Fuzzy logic controller is shown in Figure 7. It consists of blocks fuzzification Interface, Knowledge base, decision making logic and defuzzification.

RTDS HARDWARE

This simulator was developed with the aim of meeting the transient simulation needs of electromechanical drives and electric systems while solving the limitations of traditional real-time simulators which is shown in Figure 8. It is based on a central principle: the use of widely available, user-friendly, highly competitive commercial products (PC platform, Simulink™). The real-time

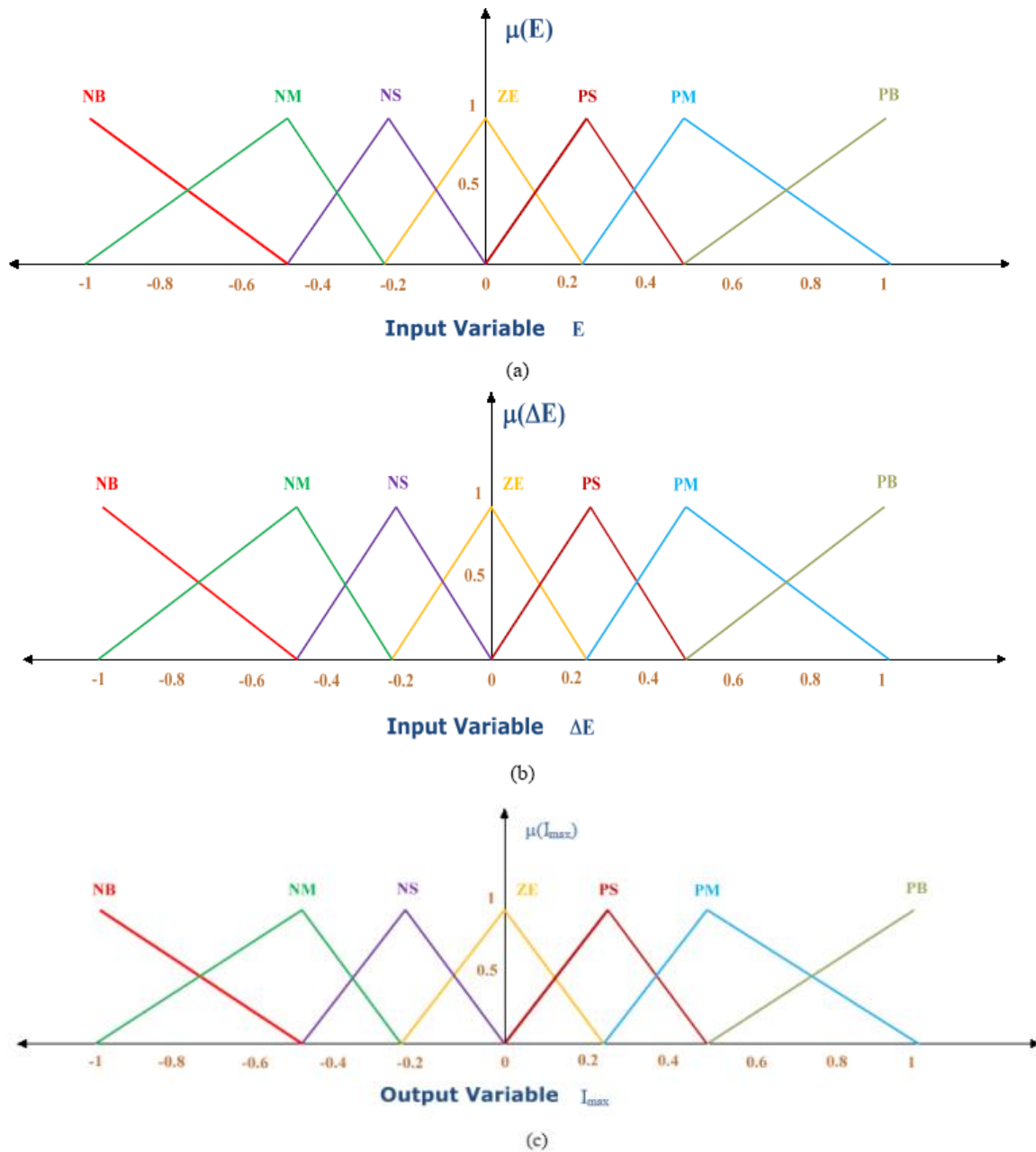


Figure 6. (a) Input variable “ E ” membership function. (b) Input change in error normalized MF. (c) Output I_{max} normalized MF.

Table 1. Rule base.

$(de/dt)e$	NB	NM	NS	Z	PS	PM	PB
NB	NB	NB	NB	NB	NM	NS	Z
NM	NB	NB	NB	NM	PB	Z	PS
NS	NB	NB	NM	PB	Z	PS	PM
Z	NB	NM	PB	Z	PS	PM	PB
PS	NM	PB	Z	PS	PM	PB	PB
PM	PB	Z	PS	PM	PB	PB	PB
PB	Z	PS	PM	PB	PB	PB	PB

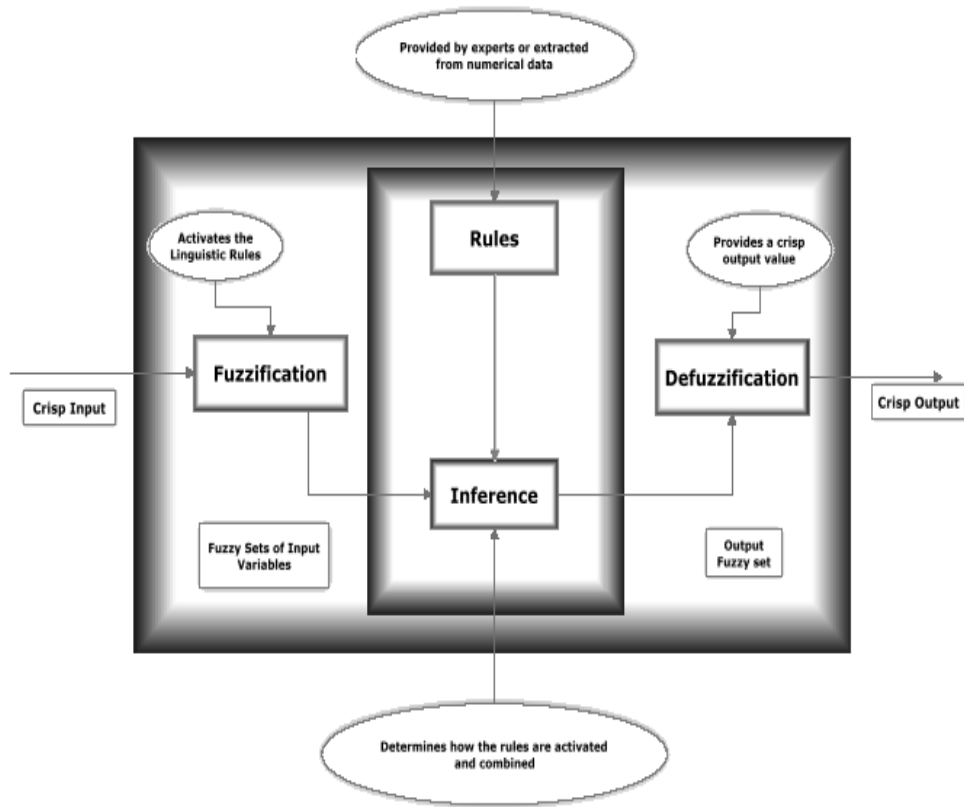


Figure 7. Block diagram of fuzzy logic controller (FLC).

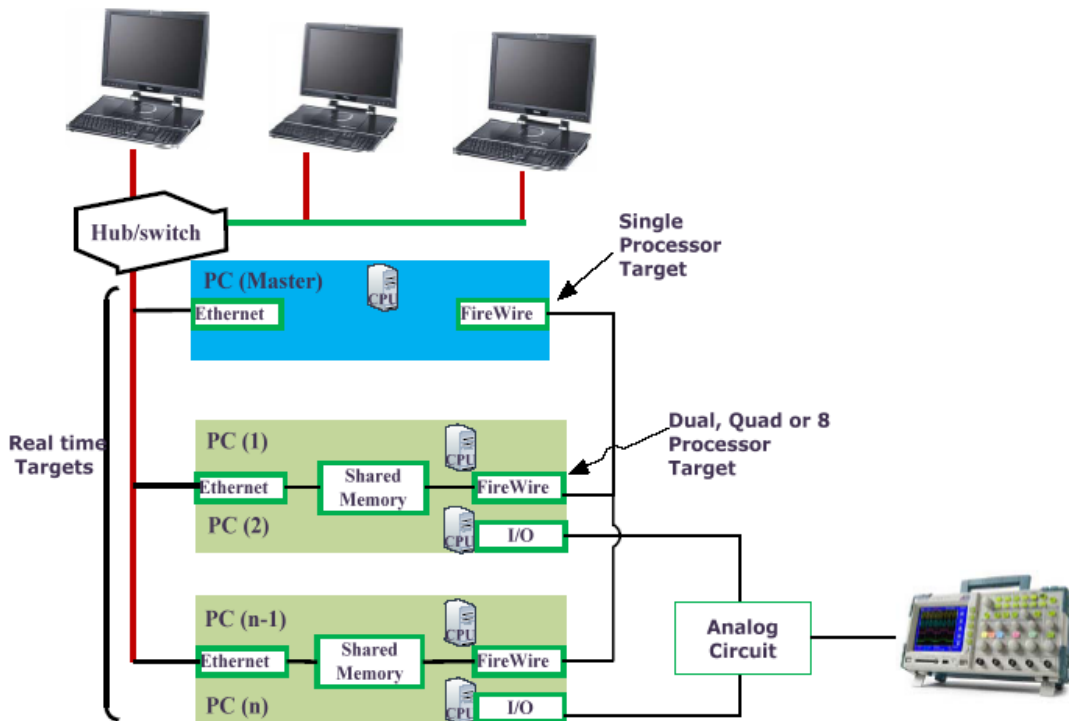


Figure 8. RT-LAB simulator architecture.

simulator consists of two main tools: a real-time distributed simulation package (RT-LAB) for the execution of Simulink block diagrams on a PC-cluster, and algorithmic toolboxes designed for the fixed-time-step simulation of stiff electric circuits and their controllers. Real-time simulation and Hardware-In-the-Loop (HIL) applications are increasingly recognized as essential tools for and electrical systems.

Simulator architecture

Block diagram and schematic Interface

The present real-time electric simulator is based on RT LAB real-time, distributed simulation platform; it is optimized to run Simulink in real-time, with efficient fixed-step solvers, on PC Cluster. Based on COTS non-proprietary PC components, RT LAB (Forsyth P 2004) is a modular real-time simulation platform, for the automatic implementation of system-level, block diagram models, on standard PC's. It uses the popular MATLAB/Simulink as a front-end for editing and viewing graphic models in block-diagram format. The block diagram models become the source from which code can be automatically generated, manipulated and downloaded onto target processors (Pentium and Pentium-compatible) for real-time or distributed simulation.

Simulator configuration

The RT-LAB simulator consists of One or more target PC's (computation nodes); one of the PCs (Master) manages the communication between the hosts and the targets and the communication between all other target PC's. The targets use the REDHAT real-time operating system. One or more host PC's allowing multiple users to access the targets; one of the hosts has the full control of the simulator, while other hosts, in read-only mode, can receive and display signals from the real-time simulator. I/O's of various types (analog in and out, digital in and out, PWM in and out, timers, encoders, etc.). I/O's can be managed by dedicated processors distributed over several nodes.

SIMULATION AND RTDS RESULTS

Figures 9a and 9b show the performance of Shunt active filter under balanced sinusoidal voltage condition with PI controller and real time simulation. It is observed from the load current waveform harmonics are injected by the non linear loads, and even though the interruption occurs (Figure 9a shows) the source current is still sinusoidal by the PI p-q controller. It reduces the harmonics up to 2.15% of THD as per IEEE-519 standard. Dynamic behavior of the system is improved consecutively by

adding the fuzzy logic controller. It is observed from waveform Spectrum 1.27% of THD as shown in Figure 9c. The performance of Shunt active filter under un-balanced sinusoidal voltage condition is show in Figures 10a and 10b. The source current is still sinusoidal even though the voltage changes occur in the input side. It is observed from the waveform that the harmonics current is compensated and source current is made sinusoidal as stipulated by IEEE519 standard. The terminal voltage is maintained to the reference voltage by adjusting the reactive power injection. Figures 10a and 10b show that under un-balanced sinusoidal voltage condition, THD for p-q method with PI Controller using Matlab simulation is 4.16% and using Real time simulation hard ware is 4.23%; THD for p-q method with Fuzzy Controller using matlab simulation is 2.98% as shown in Figure 10c and using RTDS Hard ware is 3.27% as shown in Figure 10d. Similarly performance of Shunt active filter under balanced non-sinusoidal voltage condition as shown in Figures 11a and 11b. THD for p-q method with PI Controller using Matlab simulation is 5.31% and using RTDS Hard ware is 5.41%; THD for p-q method with Fuzzy Controller using Matlab simulation is 3.85% and using RTDS Hard ware is 4.15% as shown in Figure 11c and 11d.

Considered the load is changed to two phase load and also the load currents are absence between 0.2 and 0.25 s. These loads are applied again at 0.25 s respectively. The neutral current is shown in Figure 12a without the compensation and Figure 12b shows that after compensation. The THD comparison is shown in Figure 13 under different voltage transient.

Conclusions

In the present paper two controllers are developed and verified with three phase four wire system. Even though two controllers are capable to compensate current harmonics in the 3-phase 4-wire system, but it is observed that Fuzzy Logic controller shows some dynamic performance over Conventional PI controller. PWM pattern generation based on carrier less hysteresis based current control is used for quick response. Additionally, on contrast of different control strategies; p-q control strategy is used for obtaining reference currents in the system, because in this strategy, angle " θ " is calculated directly from main voltages and enables operation to be frequency independent their by technique avoids large numbers of synchronization problems. It is also observed that DC voltage regulation system valid to be a stable and steady-state error free system was obtained. Thus with fuzzy logic and p-q approach a novel shunt active filter can be developed. The 3-ph 4-wire SHAF system is also implemented on a Real Time Digital Simulator to further verify its effectiveness. Essential simulation and RTDS Hardware results are presented to validate the performance of shunt active filter.

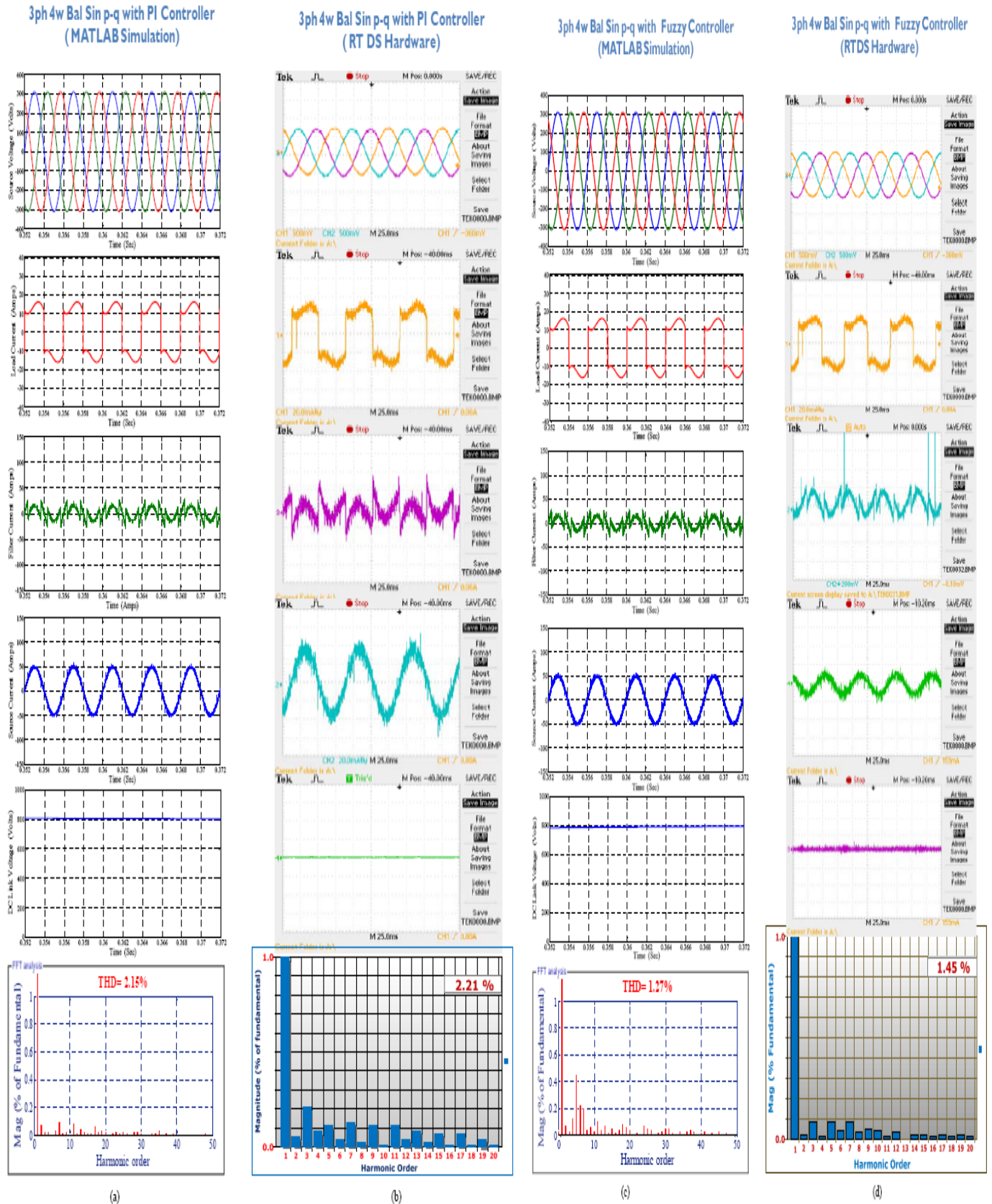
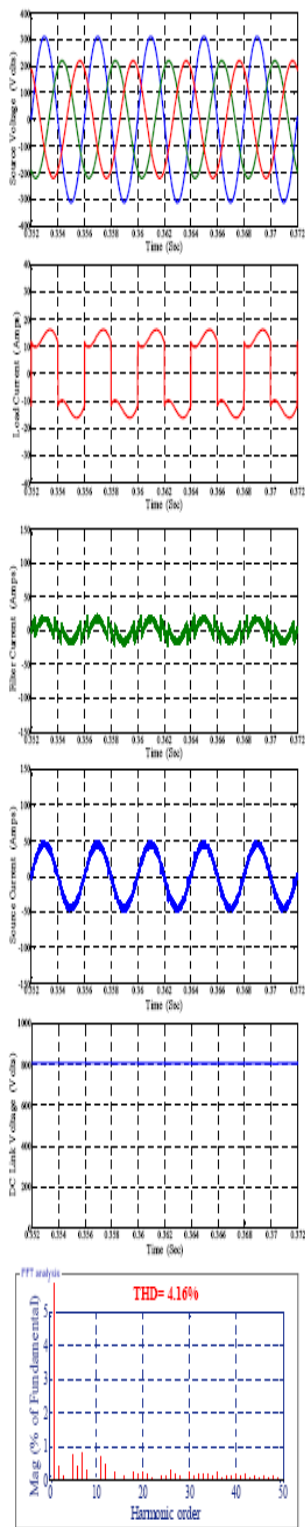


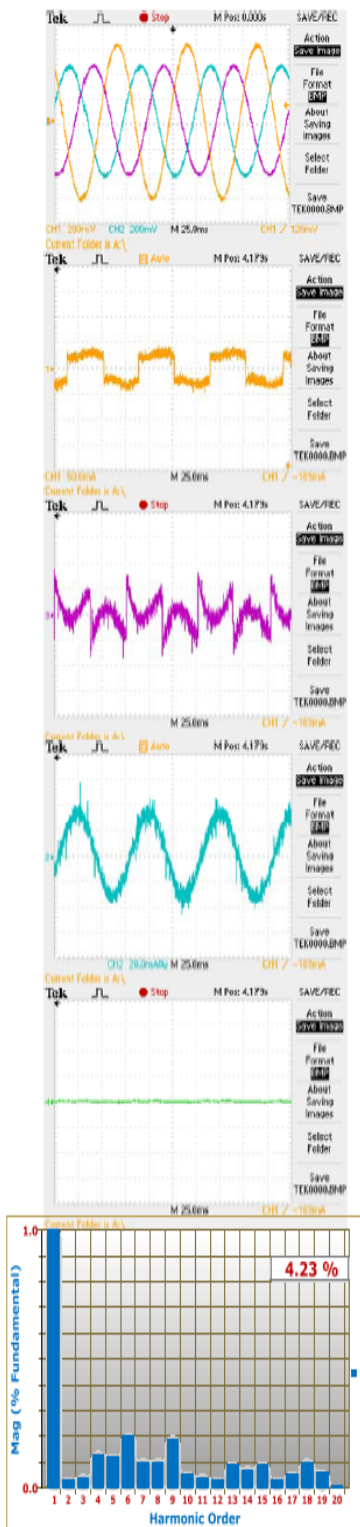
Figure 9. 3ph 4wire shunt active filter response with p-q control strategy under balanced sinusoidal using. (a) PI with matlab; (b) PI with RTDS hardware; (c) Fuzzy with matlab; (d) Fuzzy with RTDS hardware.

3ph 4w Un-bal Sin p-q with PI Controller (MATLAB Simulation)



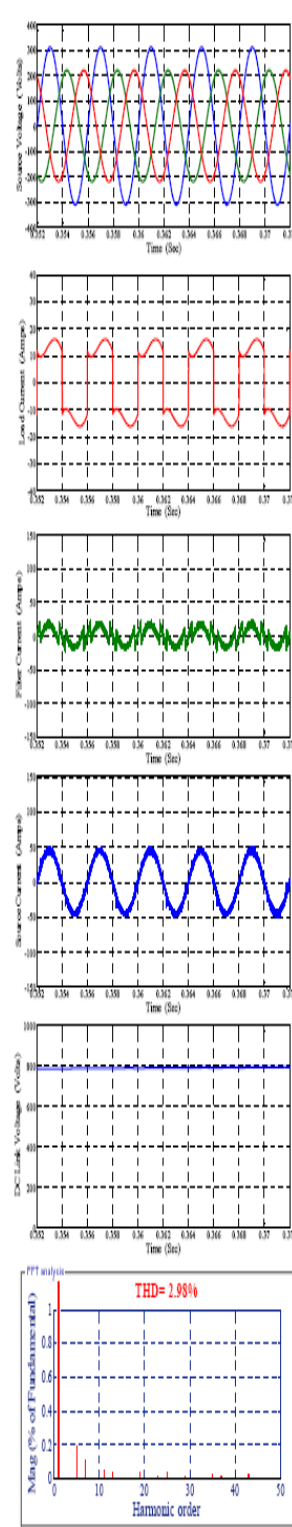
(a)

3ph 4w Un-bal Sin p-q with PI Controller (RT DS Hardware)



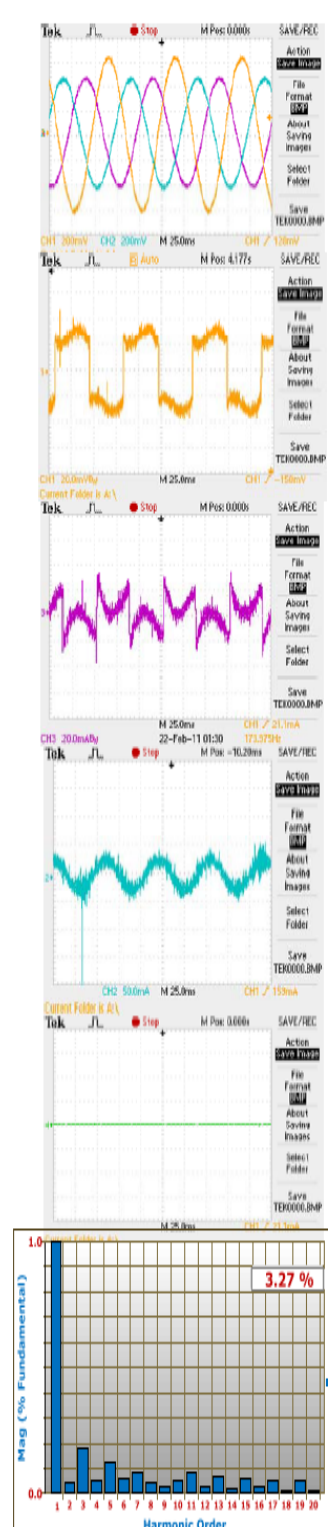
(b)

3ph 4w Un-bal Sin p-q with Fuzzy Controller (MATLAB Simulation)



(c)

3ph 4w Un-bal Sin p-q with Fuzzy Controller (RT DS Hardware)



(d)

Figure 10. 3-ph 4wire shunt active filter response with p-q control strategy under un-balanced sinusoidal using. (a) PI with Matlab; (b) PI with RTDS hardware; (c) Fuzzy with matlab; (d) Fuzzy with RTDS hardware.

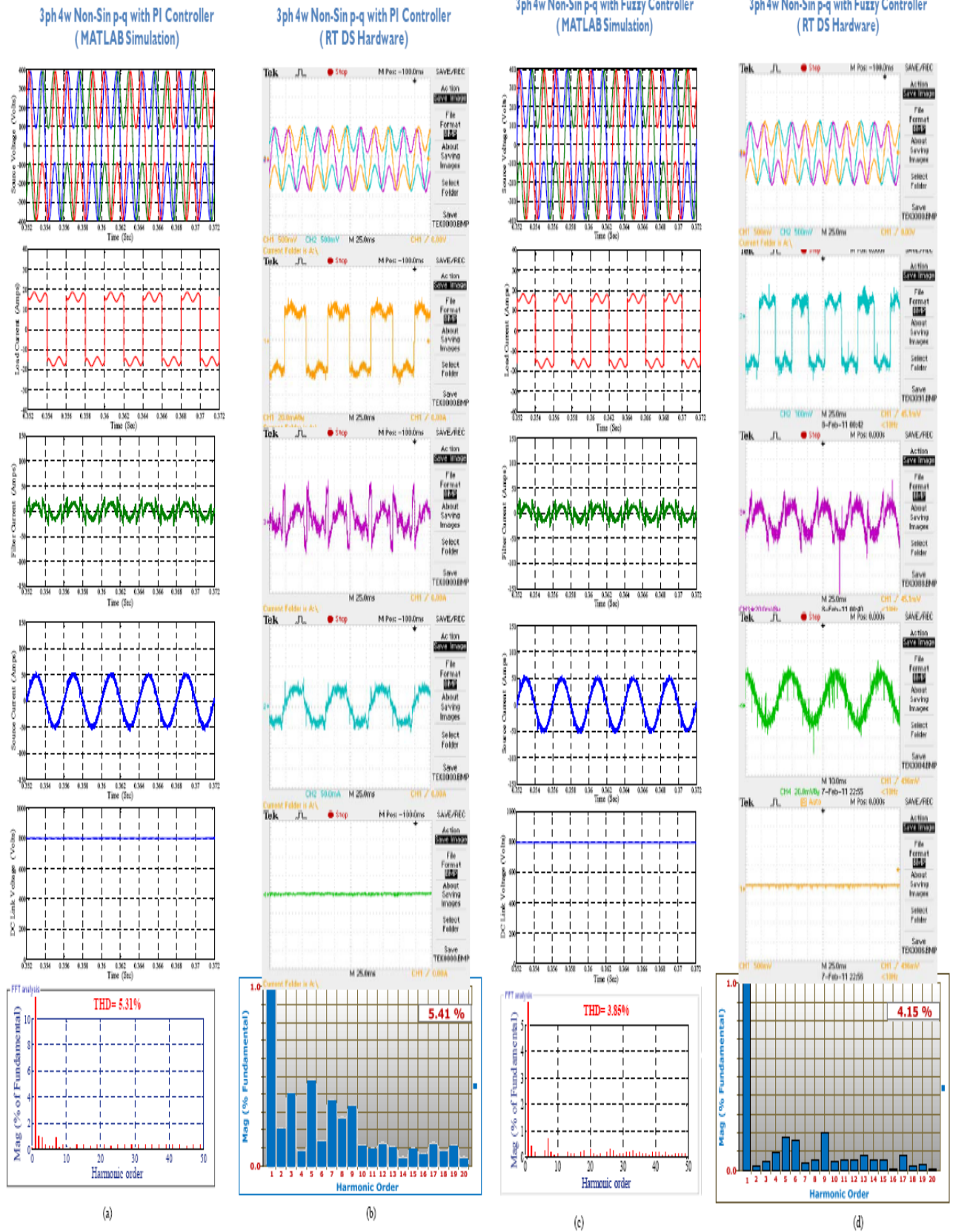
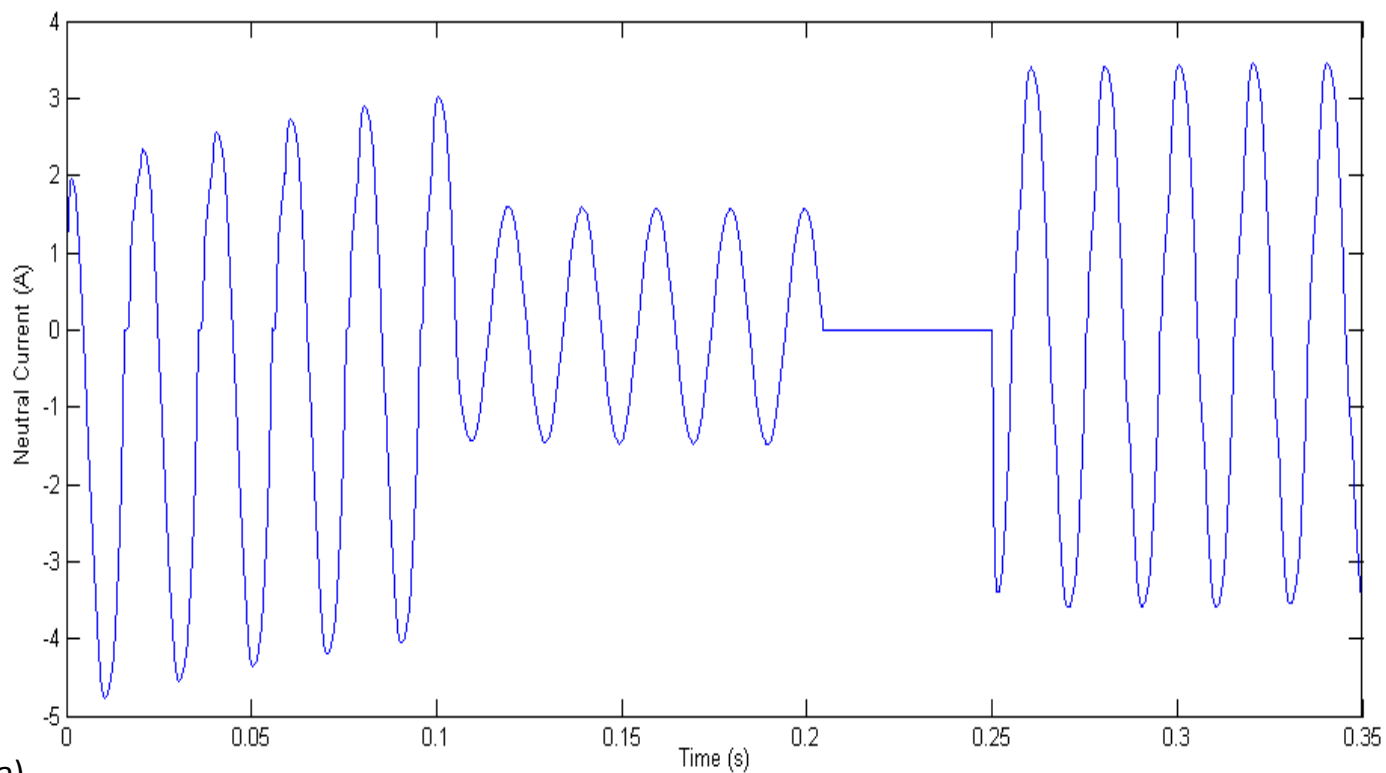
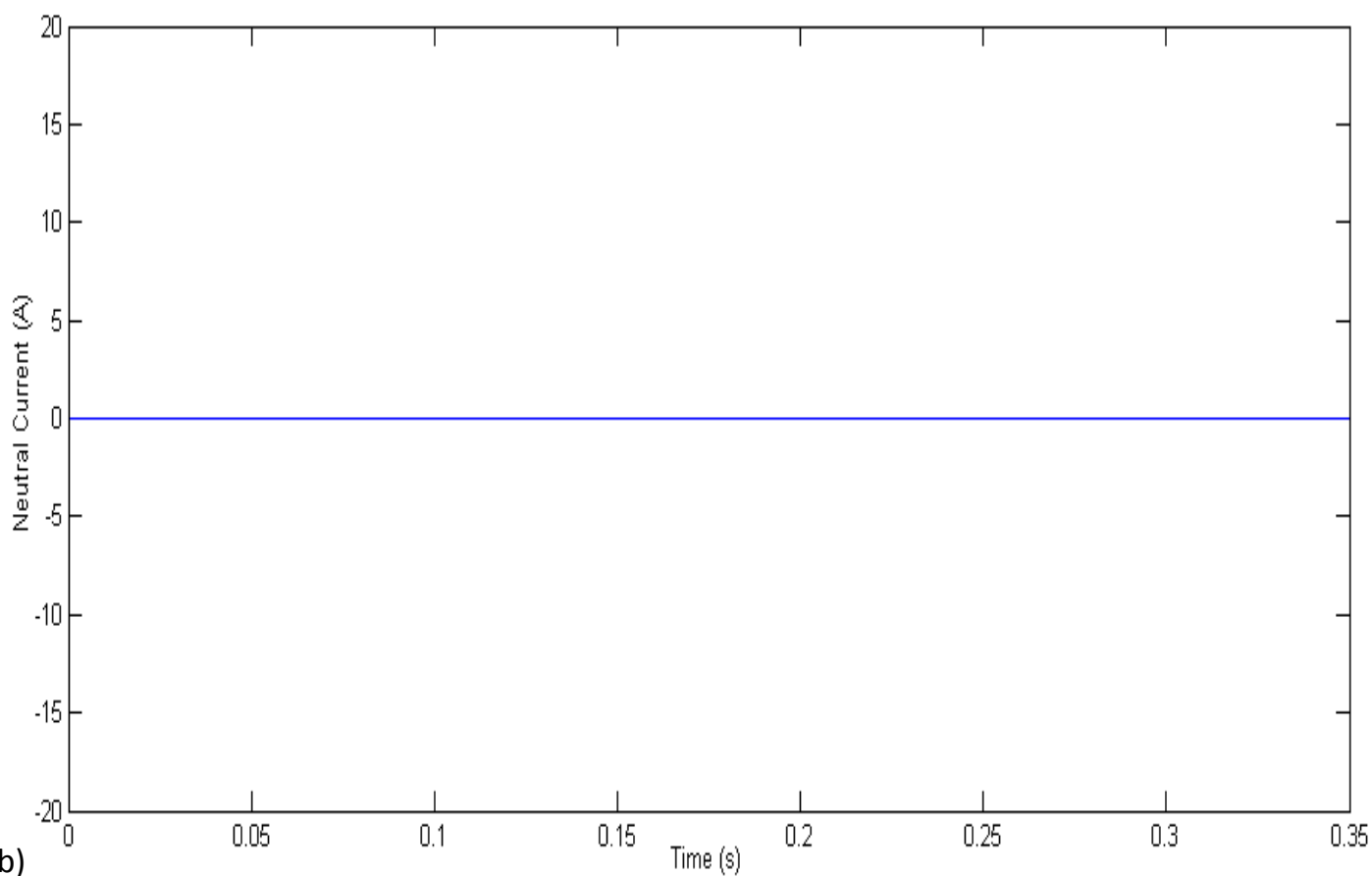


Figure 11. 3ph 4wire Shunt active filter response with p-q control strategy under Non-sinusoidal using. (a) PI with matlab; (b) PI with RTDS hardware; (c) Fuzzy with matlab; (d) Fuzzy with RTDS hardware.



(a)



(b)

Figure 12. (a) Neutral current without compensation. (b) Neutral current after compensation.

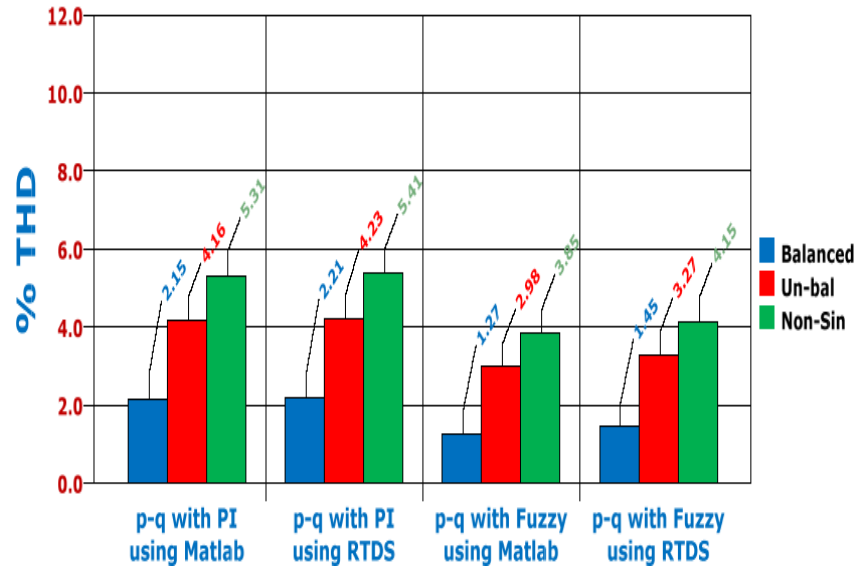


Figure 13. THD for p - q control strategy with PI and fuzzy controllers using Matlab and RTDS hardware.

REFERENCES

- Akagi (2007). Instantaneous Power Theory and Applications to Power Conditioning. IEEE Press/Wiley-Inter-Science
- Akagi H (1996). New Trends in Active Filters for Power Conditioning. IEEE Trans. Ind. Appl. 32(6):1312-1322.
- Akagi H, Kanazawa Y (1984). Instantaneous Reactive Power Compensators Comprising Switching Devices without Energy Storage Components. IEEE Trans. Ind. Appl. 20(3): 625-630.
- Aredes M (1997). Three-Phase Four-Wire Shunt Active Filter Control Strategies. IEEE Trans. Power Electron. 12(2):311-318.
- Forsyth P (2004). Real Time Digital Simulation for Control and Protection System Testing. IEEE Proc. Power Electron. Specialists Conf. 1:329-335.
- Jain SK (2002). Fuzzy Logic Controlled Shunt Active Power Filter for Power Quality Improvement. IEEE Proc. Electric Power Appl. 149(5):317-328.
- Kirawanich P, O'Connell RM (2004). Fuzzy Logic Control of an Active Power Line Conditioner. IEEE Trans. Power Electron. 19(6):1574-1585.
- Mikkili S, Panda AK (2011). Instantaneous Active and Reactive Power and Current Strategies for Current Harmonics Cancellation in 3-ph 4Wire SHAF with Both PI and Fuzzy Controllers. J. Energ. Power Eng. 3(3):285-298.
- Mikkili S, Panda AK (2011). SHAF for Mitigation of Current Harmonics Using p - q Method with PI and Fuzzy Controllers. Eng. Technol. Appl. Sci. Res. 1(4):98-104.
- Montero MIM (2007). Comparison of Control Strategies for Shunt Active Power Filters in Three-Phase Four-Wire Systems. IEEE Trans. on Power Electronics. 22(1):229-236.
- Peng Z (1998). Harmonic and Reactive Power Compensation Based on the Generalized Instantaneous Reactive Power Theory for Three-Phase Four-Wire Systems. IEEE Trans. Power Electron. 13(5):1174-1181.
- Rodriguez P (2009). Current Harmonics Cancellation in Three-Phase Four-Wire Systems by Using a Four-Branch Star Filtering Topology. IEEE Trans. Power Electron. 24(8):1939-1950.
- Salmeron P, Herrera RS (2006). Distorted and Unbalanced Systems Compensation within Instantaneous Reactive Power Framework. IEEE Trans. Power Deliv. 21(3):1655-1662.
- Suresh M, Panda AK, Suresh Y (2011). Fuzzy Controller Based 3Phase 4Wire Shunt Active Filter for Mitigation of Current Harmonics with Combined p - q and I_d - I_q Control Strategies. J. Energ. Power Eng. 3(1):43-52.
- Vodyakho O, Chris M, Senior C (2009). Three-Level Inverter-Based Shunt Active Power Filter in Three-Phase Three-Wire and Four-Wire Systems. IEEE Trans. Power Electron. 24(5):1350-1363.